

# Luxtronik



## Aurora II (HBS)

40w-240w

---

## Spec Sheet

Version 1.0  
April 20, 2017

Luxtronik Technical Department

Optimized for the emerging smart highbay market and designed to fit with all leading sensor brands Aurora HBS is available with a full range of outputs from 5,200 to 31,000 lumens.

## Features & Benefits

- Up to 135lm/w system efficacy
- Premium grade aluminum die cast housing and stainless steel hardware
- High performance thermal management design ensures low LED junction temperature with high lumen maintenance
- Simple installation and maintenance
- <25 UGR up to 200w
- Central balanced mounting for all leading 0-10v or DALI compatible sensor brands

## Applications

Designed for low or high ceiling, open space applications such as;

- Warehouses
- Logistic centers
- Production workshops
- Storage facilities
- Commercial spaces

## Technical Specification

Description	Aurora II LED Highbay Light (HBS)								
Recommended Product Location	Industrial and open area lighting applications								
Model	LUX-HBS-040	LUX-HBS-050	LUX-HBS-060	LUX-HBS-070	LUX-HBS-090	LUX-HBS-120	LUX-HBS-150	LUX-HBS-200	LUX-HBS-240
LED Max Power (W)	40	50	60	70	90	120	145	182	220
Typical System Power (W)	44	55	66	77	99	132	160	200	242
Typical Luminous Flux (lm)	6,200	7,700	9,200	10,800	13,800	18,200	22,000	27,200	33,000
System Efficacy	140lm/w	140lm/w	140lm/w	140lm/w	140lm/w	138lm/w	136lm/w	136lm/w	136lm/w
Dimensions (mm)	201x160	201x160	201x160	326x205	326x205	326x205	326x205	426x209	426x209
Weight (kg)	1.8	1.8	1.8	4.5	4.5	4.7	5.7	7.2	7.6
Light Source	Lumileds/Osram mid-power LED								
Correlated Colour Temperature	3000K, 4000K, 5000K, 5700K, 6500K								
Colour Rendering Index	>70 (or >80 available)								
LED Junction Temp.	≤75°C (@ Ta=25°C )								
LED Chip Current	50-55mA								
Light Distribution options	Clear 100°x100°, Diffused 120°x120°								
Driver	Meanwell								
Input Voltage Range	100-305VAC 50/60Hz								
Power Factor	> 0.90								
Electrical Class	Class I								
Dimming Control (optional)	0-10V, PWM, DALI								
Ambient Operating Temperature	-40°C to +45°C								
Ambient Storage Temperature	-25°C to +80°C								
Material	Aluminium								
Optical Cover	Tempered Glass								
Finish	Black powder coated (customized RAL colour available upon request)								
Ingress Protection (IP)	IP65								
Batch Coded	Yes								
Sensor compatible	All leading motion or daylight sensors								
Certification	CE, CB, SAA, ETL								

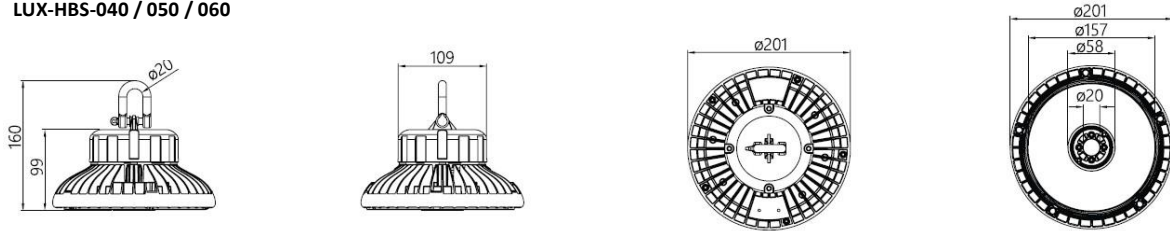
## Accessories

### Sensor compatible

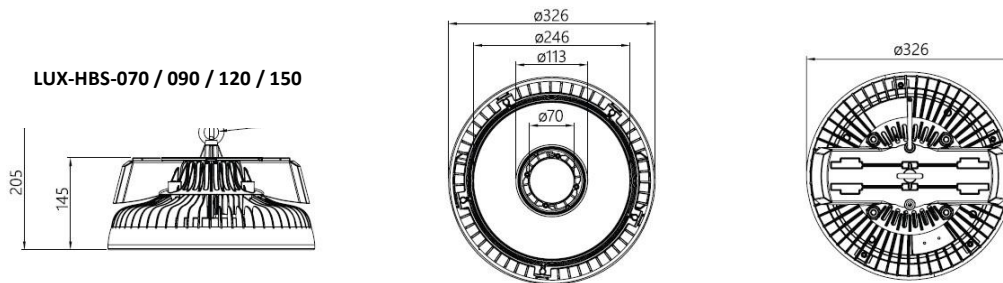
Bracket design can be custom made for different sensors  
(ordered separately)

## Dimensions

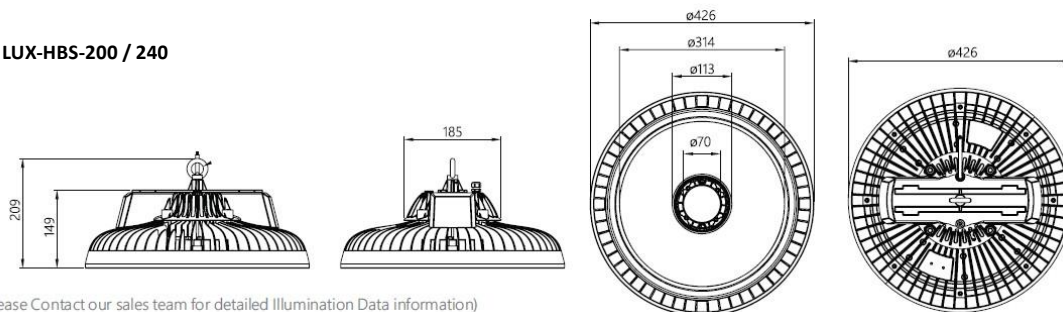
### LUX-HBS-040 / 050 / 060



### LUX-HBS-070 / 090 / 120 / 150

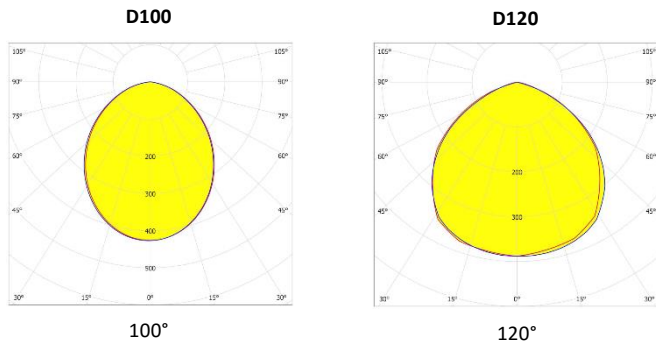


### LUX-HBS-200 / 240



(Please Contact our sales team for detailed Illumination Data information)

## Photometrics



## Ordering Information

Product ID	LED Power	Color Temp	CRI	Optics	Control
<b>HBS</b>	<b>040</b> = 40W	<b>30K</b> = 3000K	<b>70</b> = Min 70	<b>D100</b> = 100°x100°	<b>ND</b> = Non-Dimmable
	<b>050</b> = 50W	<b>40K</b> = 4000K	<b>80</b> = Min 80	<b>D120</b> = 120°x120°	<b>VD</b> = 0-10V Dimmable
	<b>060</b> = 60W	<b>50K</b> = 5000K			<b>PW</b> = PWM Dimmable
	<b>070</b> = 70W	<b>57K</b> = 5700K			<b>DD</b> = DALI Dimmable
	<b>090</b> = 90W	<b>65K</b> = 6500K			
	<b>120</b> = 120W				
	<b>150</b> = 150W				
	<b>200</b> = 200W				
	<b>240</b> = 240W				

Note: Actual performance may differ as a result of end-user environment and application. All values are typical values, measured under laboratory conditions at 25 °C. Specifications subject to change without notice.