



**NORDIC STARLIGHT**

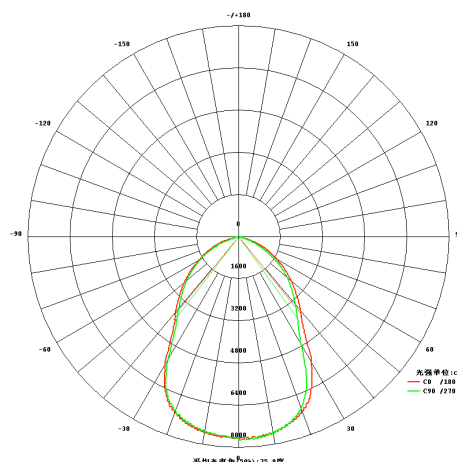
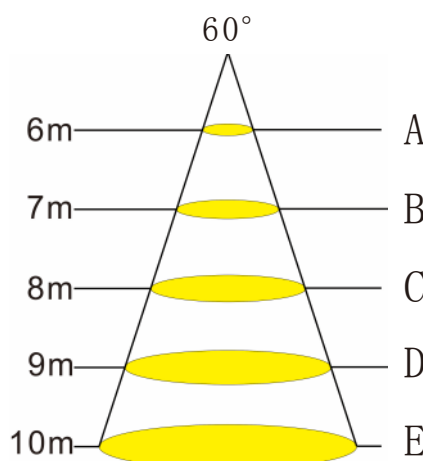
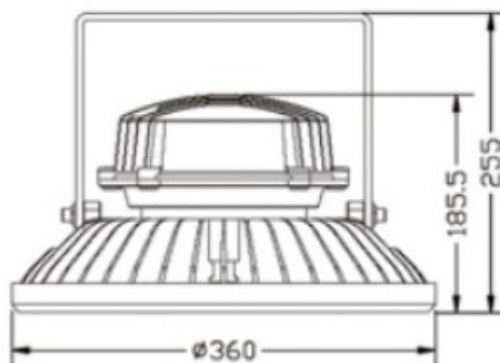
# High Power LED Floodlight 150-200W

- Integrated LED solution

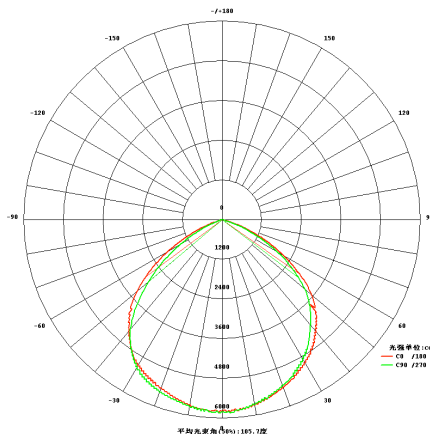
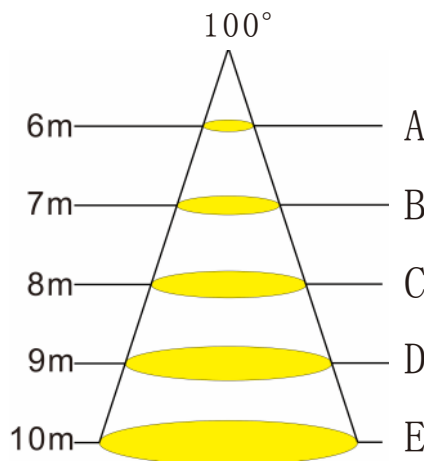


# High Power LED Floodlight 150-200W

- Integrated LED solution



Power	Lens Angle	A (lx)	B (lx)	C (lx)	D (lx)	E (lx)
150w	60°	204.2	150	114.9	90.79	73.54
160w	60°	213.6	156.9	120.1	94.95	76.9
170w	60°	221.1	162.4	124.3	98.28	79.6
180w	60°	229.2	168.4	128.9	101.9	82.54
190w	60°	272.6	200.3	153.3	121.1	98.2
200w	60°	298.9	219.6	168.1	132.8	107.6



Power	Lens Angle	A (lx)	B (lx)	C (lx)	D (lx)	E (lx)
150w	100°	153.9	113.1	86.6	68.42	55.42
160w	100°	162.3	119.2	91.3	72.13	58.43
170w	100°	168.5	123.7	94.78	74.89	60.66
180w	100°	172.01	126.3	96.76	76.45	61.92
190w	100°	187.6	137.8	105.5	83.4	67.6
200w	100°	197.9	145.4	111.3	88	71.3

## Specifications

Chipset	Bridgelux
Usefull Luminous flux 200W	19 600 Lm
System Consumption	LED power x 1,1
Input voltage	AC 100-240V, 47-63Hz
Driver	Meanwell
Power Factor	>0,95
Working Environment	-40 - 60 C
System Luminous Efficacy (Lm/W)	> 98Lm/W
Color Temperature	5000K
Color Rendering Index (CRI)	Ra>75
LED Life Span	>80 000H
IP-class	IP 67
Beam angle	45, 60, 86, 100
Net weight	8,66kg
Gross weight	10,16kg
Packing size	42x42x27cm
Dimmable	No

